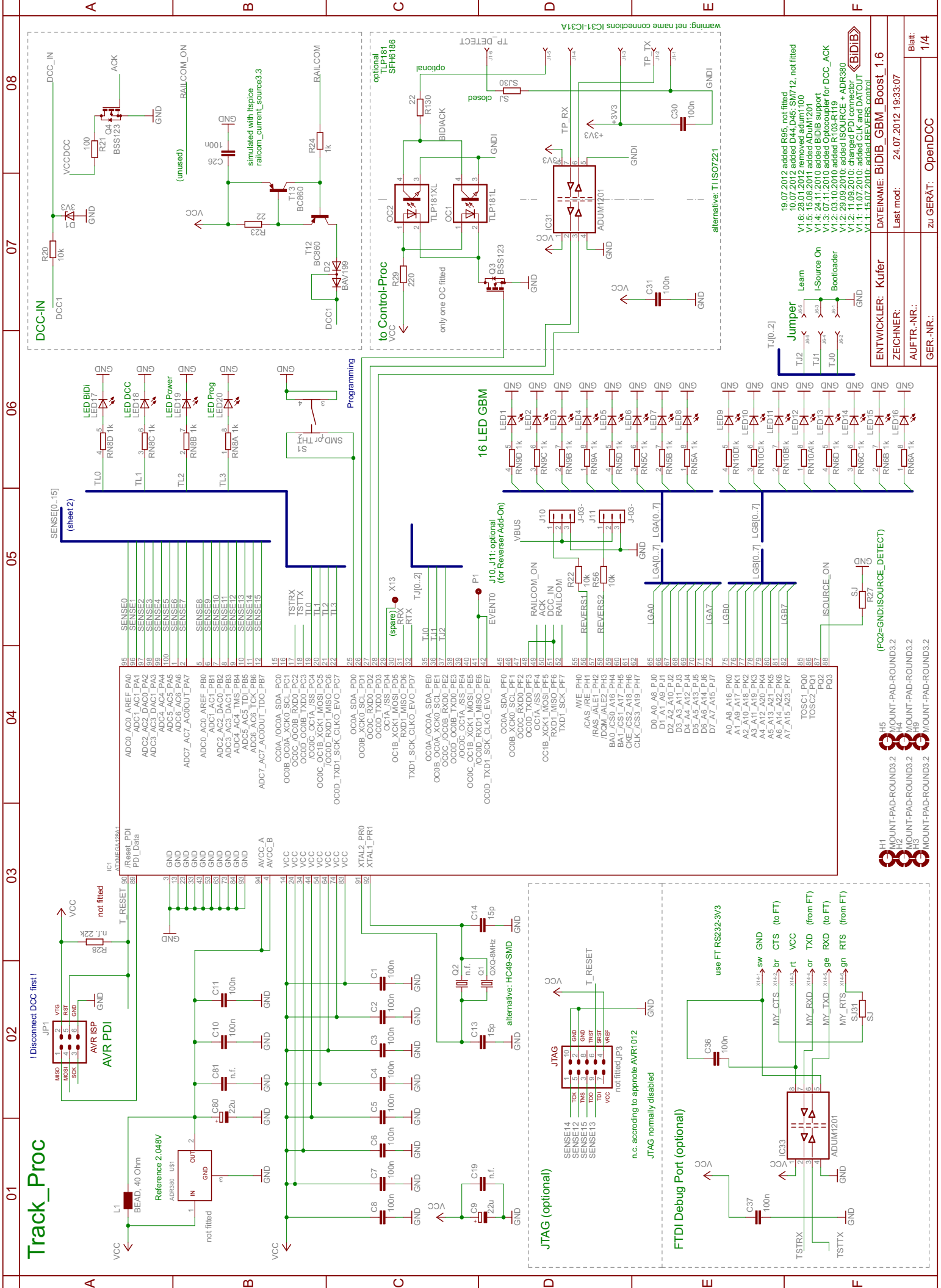


Track_Proc



Warning: net name connections IC31-IC31A
 alternative: T1ISO/T21
 optional: SFH48186
 only one OC fitted
 optional: R130
 closed
 TP_DETECT
 TP_RX
 TP_TX
 GND1
 GND
 C31 100n
 C30 100n
 C3 3V3
 VCC
 GND

19.07.2012 added R95, not fitted
 10.07.2012 added D44,D45; SM712, not fitted
 V1.5: 28.08.2012 removed address pin 100
 V1.6: 08.09.2012 added address pin 100
 V1.4: 24.11.2010 added BiDiB support
 V1.3: 07.11.2010 added Optocoupler for DCC_ACK
 V1.2: 03.10.2010 added ISOURCE + ADR380
 V1.2: 29.09.2010: changed PDI connector
 V1.1: 11.07.2010: added CLK and DATOUT
 V1.1: 13.07.2010: added ADDRESS command

Jumper
 Learn
 TSTRX
 TSTTX
 TP_TX
 TP_RX
 T10
 T11
 T12

ENTWICKLER: Kufer
 Last mod: 24.07.2012 19:33:07
 ZEICHNER:
 AUFTR.-NR.:
 GER.-NR.:
 zu GERÄT: OpenDCC

DATEiname: BiDiB_GBM_Boost_1.6
 H1
 H2
 H3
 H4
 H5
 H6
 H7
 H8
 H9
 H10
 H11
 H12
 H13
 H14
 H15
 H16
 H17
 H18
 H19
 H20
 H21
 H22
 H23
 H24
 H25
 H26
 H27
 H28
 H29
 H30
 H31
 H32
 H33
 H34
 H35
 H36
 H37
 H38
 H39
 H40
 H41
 H42
 H43
 H44
 H45
 H46
 H47
 H48
 H49
 H50
 H51
 H52
 H53
 H54
 H55
 H56
 H57
 H58
 H59
 H60
 H61
 H62
 H63
 H64
 H65
 H66
 H67
 H68
 H69
 H70
 H71
 H72
 H73
 H74
 H75
 H76
 H77
 H78
 H79
 H80
 H81
 H82
 H83
 H84
 H85
 H86
 H87
 H88
 H89
 H90
 H91
 H92
 H93
 H94
 H95
 H96
 H97
 H98
 H99
 H100

ISOURCE_ON
 R27
 (PQ2-GND:ISOURCE_DETECT)

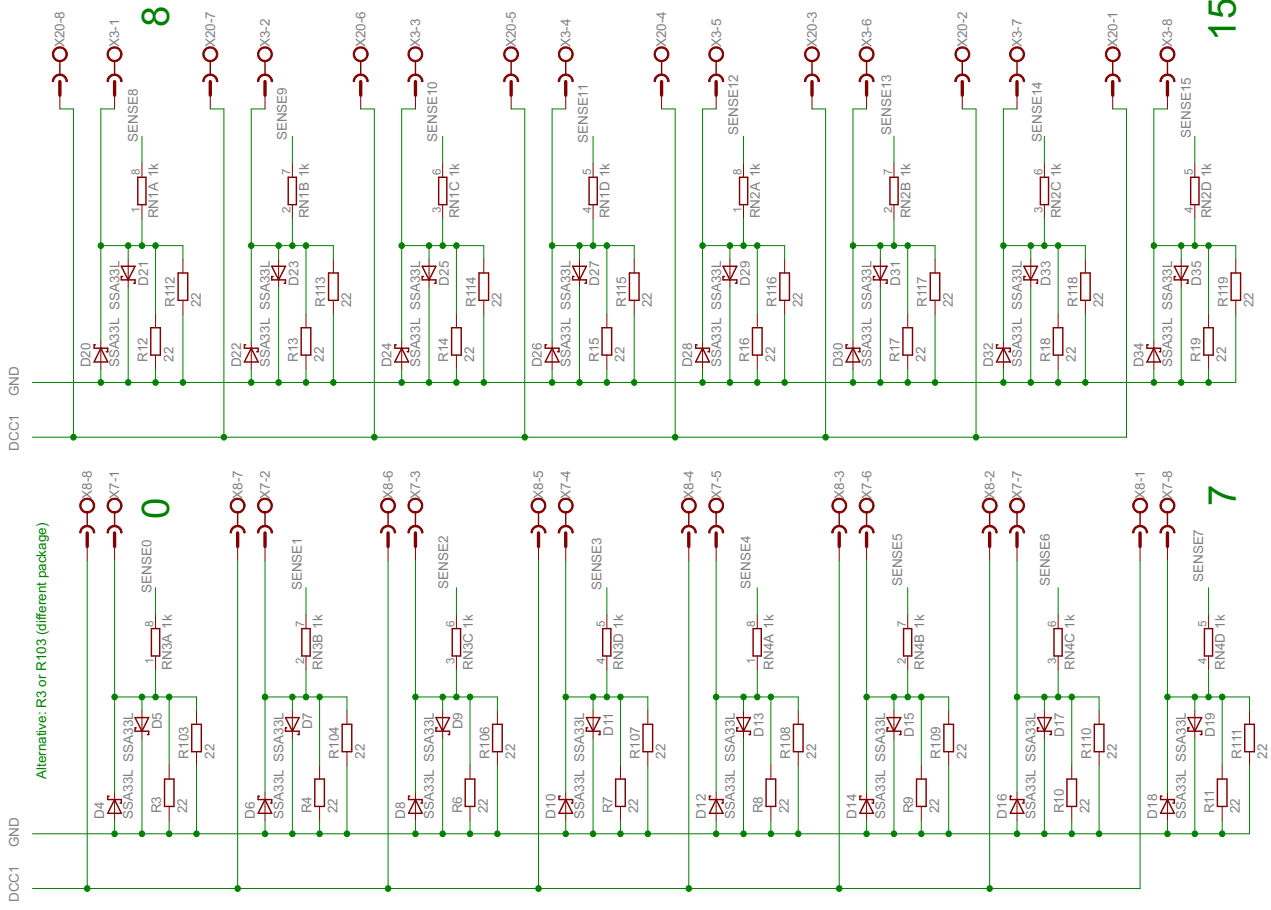
ISOURCE_ON
 R27
 (PQ2-GND:ISOURCE_DETECT)

ISOURCE_ON
 R27
 (PQ2-GND:ISOURCE_DETECT)

ISOURCE_ON
 R27
 (PQ2-GND:ISOURCE_DETECT)

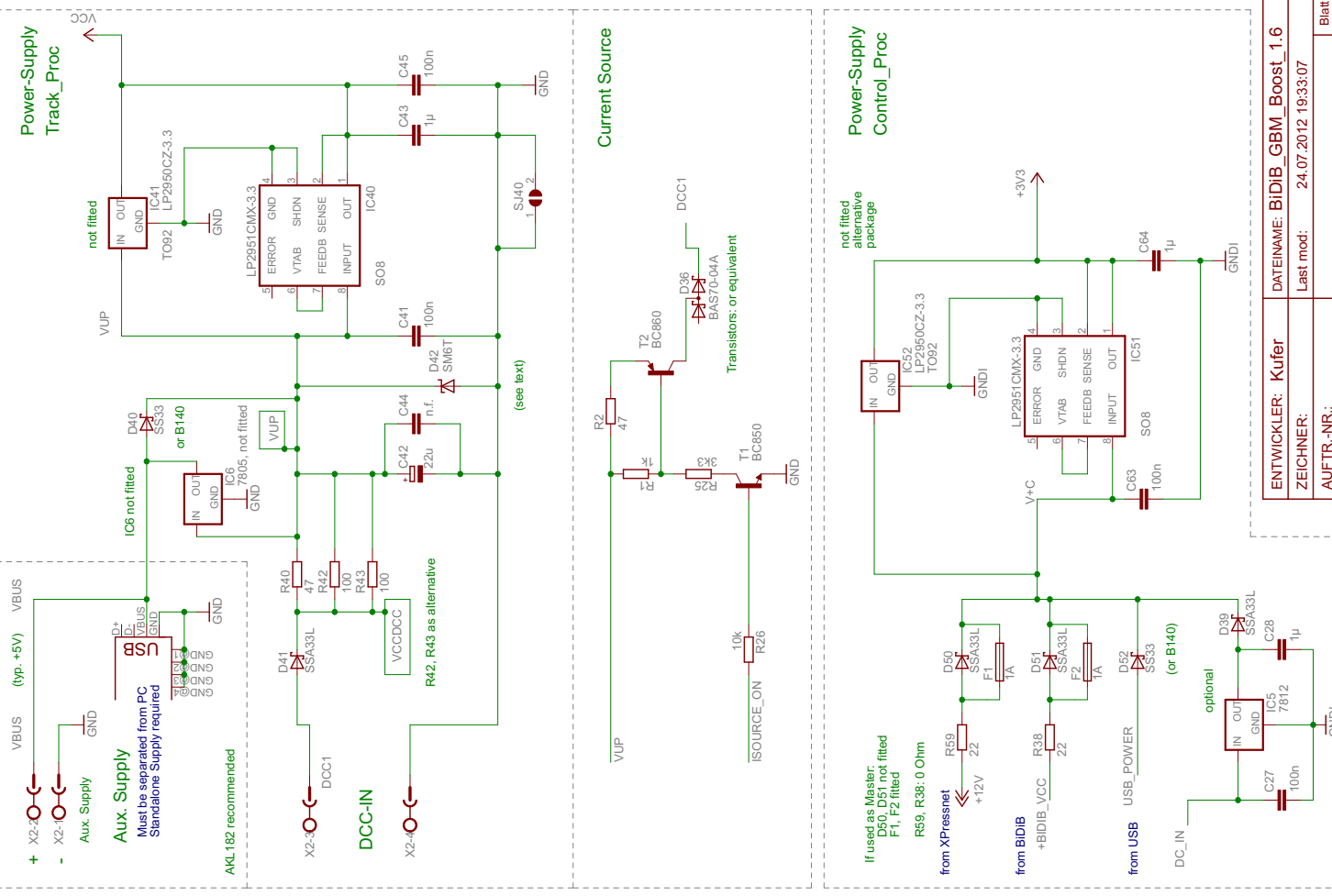
Track, Sensors, Power

Note: for railcom compliance 5.6 ohms is required

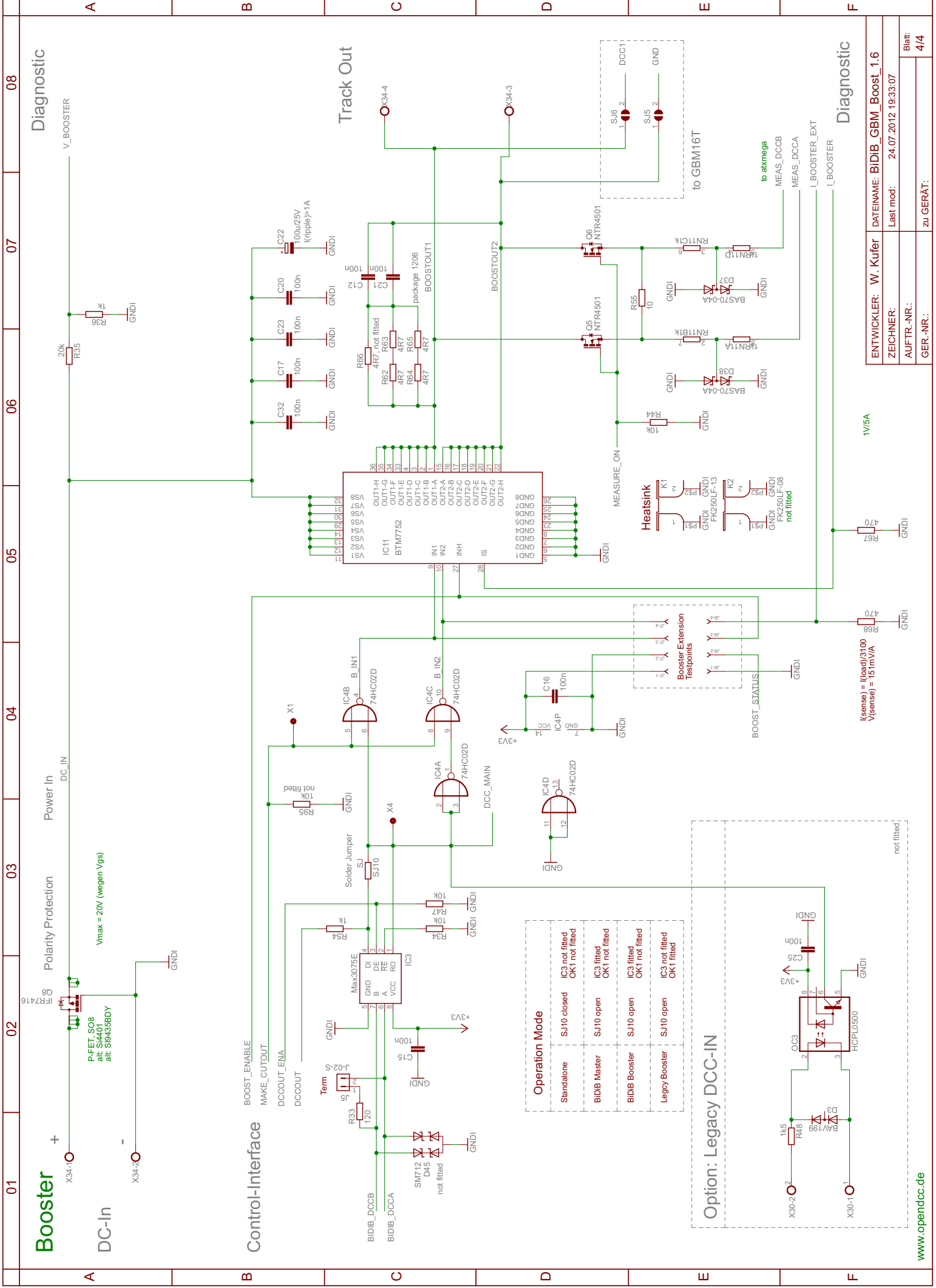


use only SMD, THT-Resistors are not fitted

V1.6: 29.01.2012 swapped connectors to RIA Plug



ENTWICKLER: Kufer	DATEiname: BIDIB_GBM_Boost_1.6
AUFTR-NR.:	Last mod: 24.07.2012 19:33:07
GER.-NR.:	zu GERÄT: OpenDCC
Blatt: 2/4	



Booster
DC-In

Control-Interface

Track Out

Operation Mode

Standalone	SJ10 closed	IC3 not fitted OK1 not fitted
BIDB Master	SJ10 open	IC3 fitted OK1 not fitted
BIDB Booster	SJ10 open	IC3 fitted OK1 not fitted
Legacy Booster	SJ10 open	IC3 not fitted OK1 fitted

Option: Legacy DCC-IN

Diagnostic

ENTWICKLER: W. Kufer	DATEINAME: BIDB_GBM_Boost_1.6
ZEICHNER:	Last mod: 24.07.2012 19:33:07
AUFTR.-NR.:	
GER.-NR.:	zu GERÄT: 4/4

1V/5A

$$I(\text{sense}) = \frac{V(\text{sensd})3100}{V(\text{sense})} = 15 \text{ mA/V}$$

