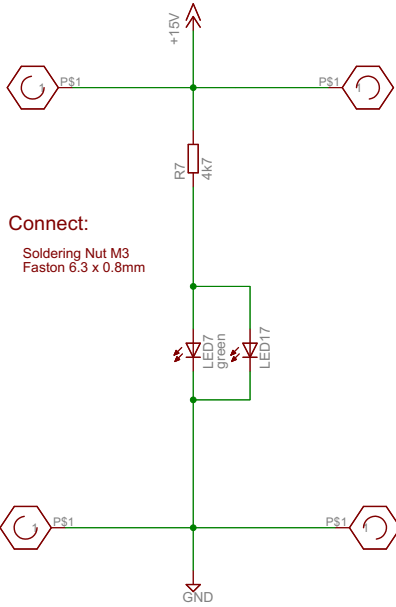


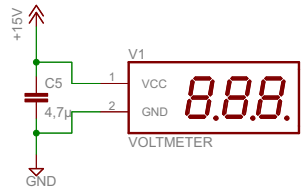
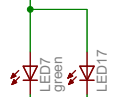
Power Distribution Board

Input

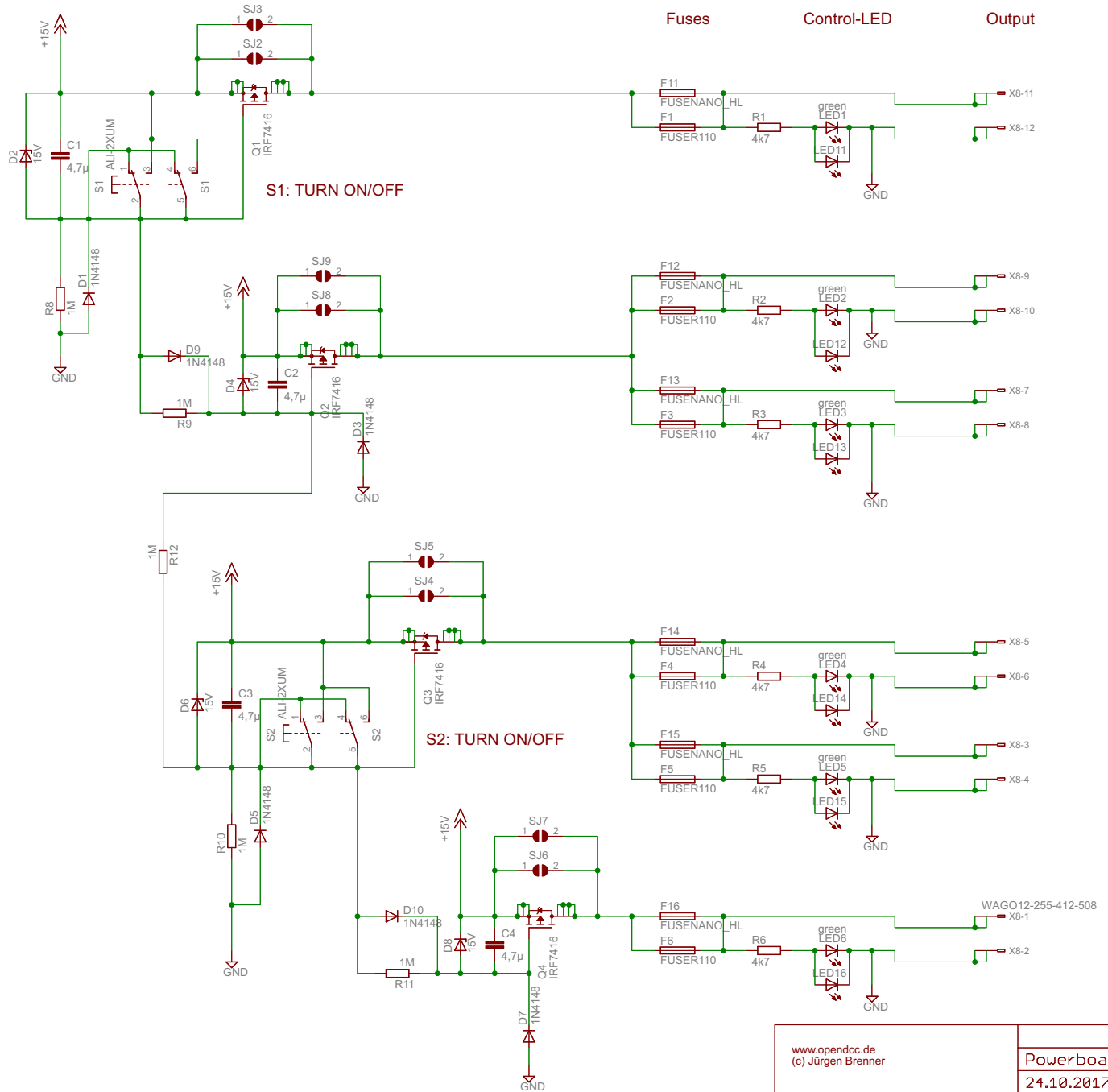


Connect:

Soldering Nut M3
Faston 6.3 x 0.8mm



- H1 MOUNT-HOLE3.2
- H2 MOUNT-HOLE3.2
- H3 MOUNT-HOLE3.2
- H4 MOUNT-HOLE3.2



www.opendcc.de (c) Jürgen Brenner	Powerboard_1.2
	24.10.2017 11:27:47
	Sheet: 1/1

Powerboard

V1.2

2017-10-23

(c) J.B. + K.W., opendcc.de

