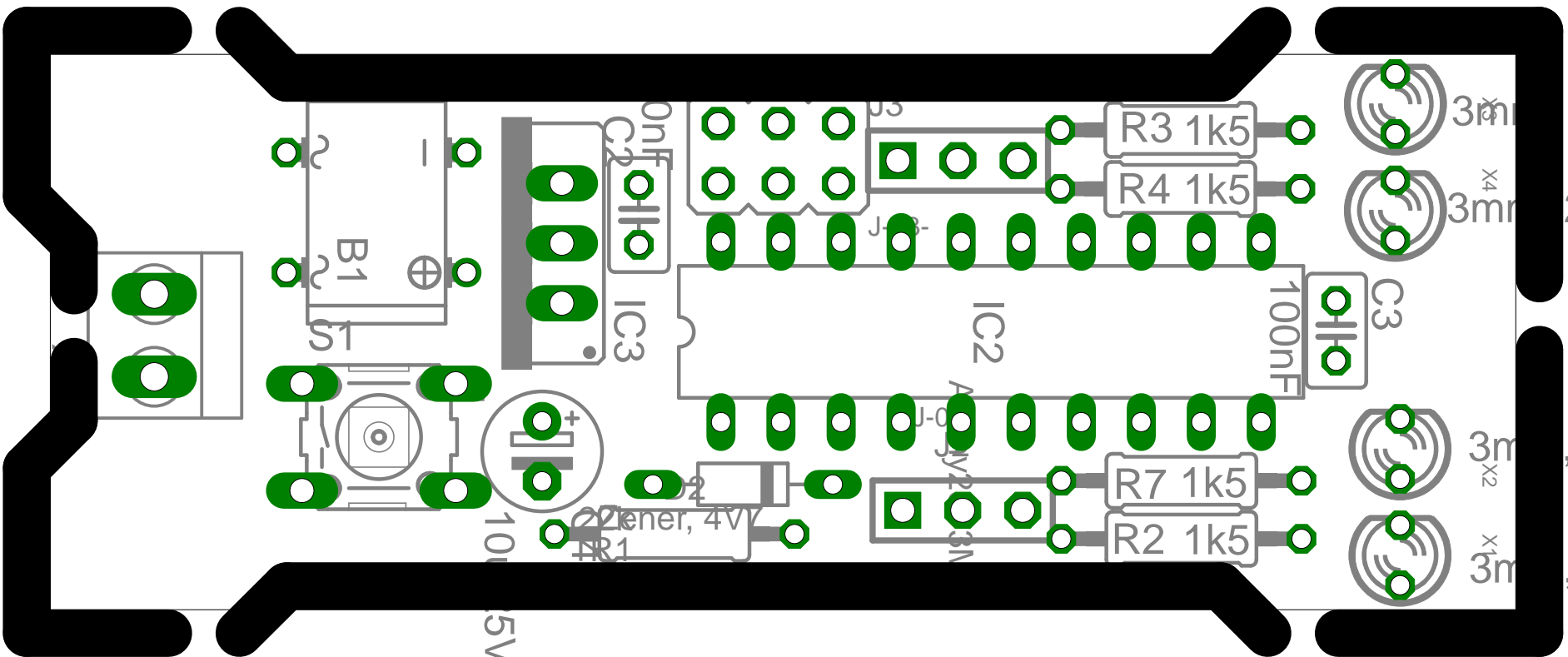


Version 1.0, Small Layout 23.5 x 32mm
 dcc_polarity_dil
 30.12.2013 16:24:36
 Kufer Wolfgang
<http://www.opendcc.de>
 Sheet: 1/1



LED3
2mA, rd

LED4
2mA, bl

LED2
2mA, bl

LED1
2mA, rd

DCC Polarity
 (c) www.opendcc.de
 Version 1.0
 Comp