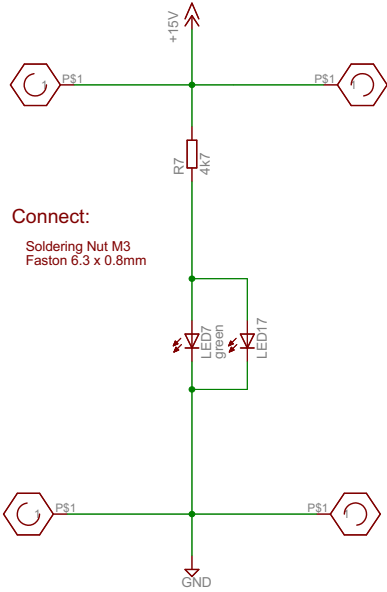
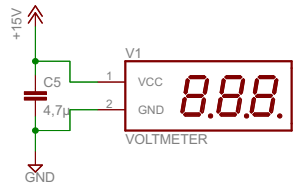


# Power Distribution Board

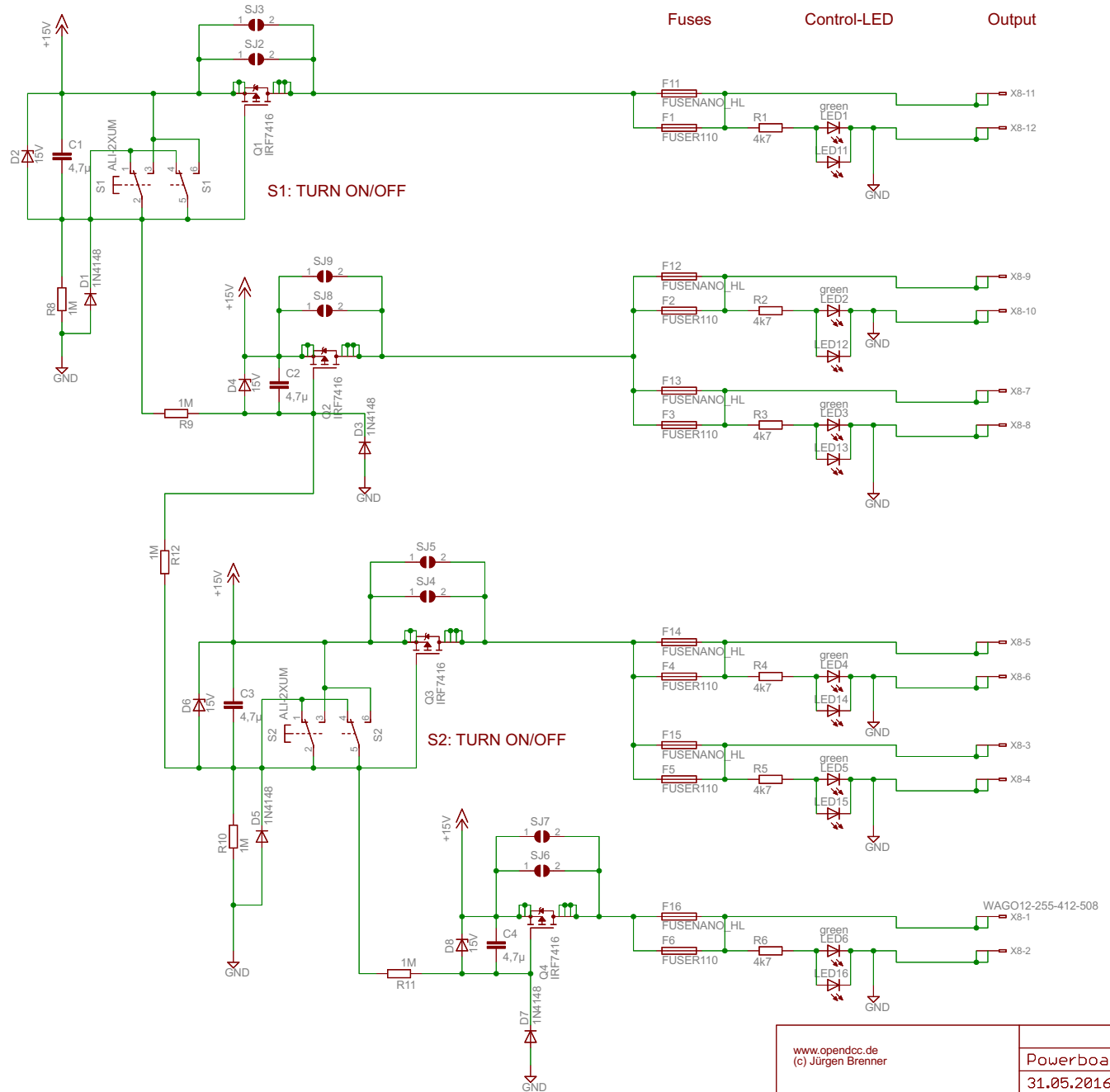
Input



Connect:  
Soldering Nut M3  
Faston 6.3 x 0.8mm



- H1 MOUNT-HOLE3.2
- H2 MOUNT-HOLE3.2
- H3 MOUNT-HOLE3.2
- H4 MOUNT-HOLE3.2



www.opendcc.de (c) Jürgen Brenner	
Powerboard_1.1	
31.05.2016 13:39:24	
Sheet: 1/1	

# Powerboard

V1.1

2016-05-29

(c) J.B. + K.W., opendcc.de

