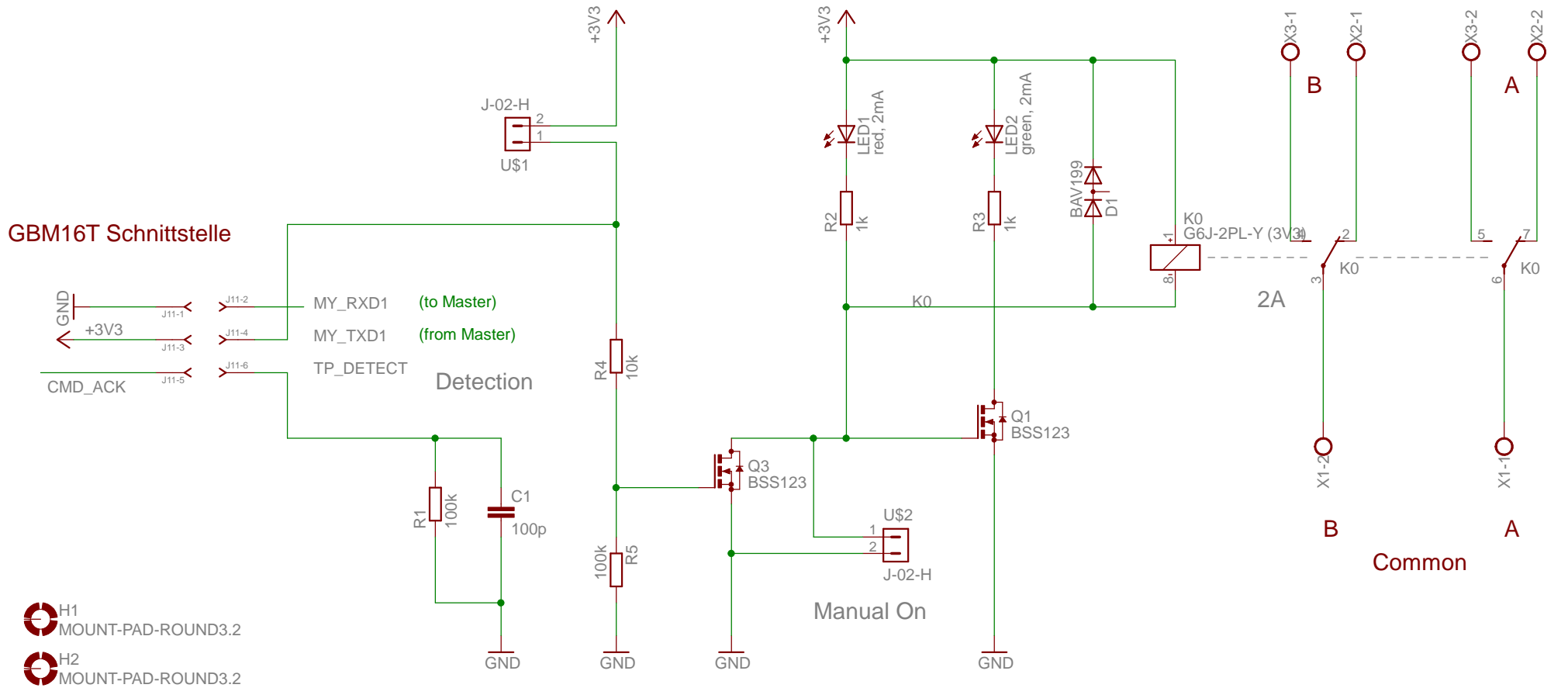


PROG-Gleis Addon



- H1 MOUNT-PAD-ROUND3.2
- H2 MOUNT-PAD-ROUND3.2

History:

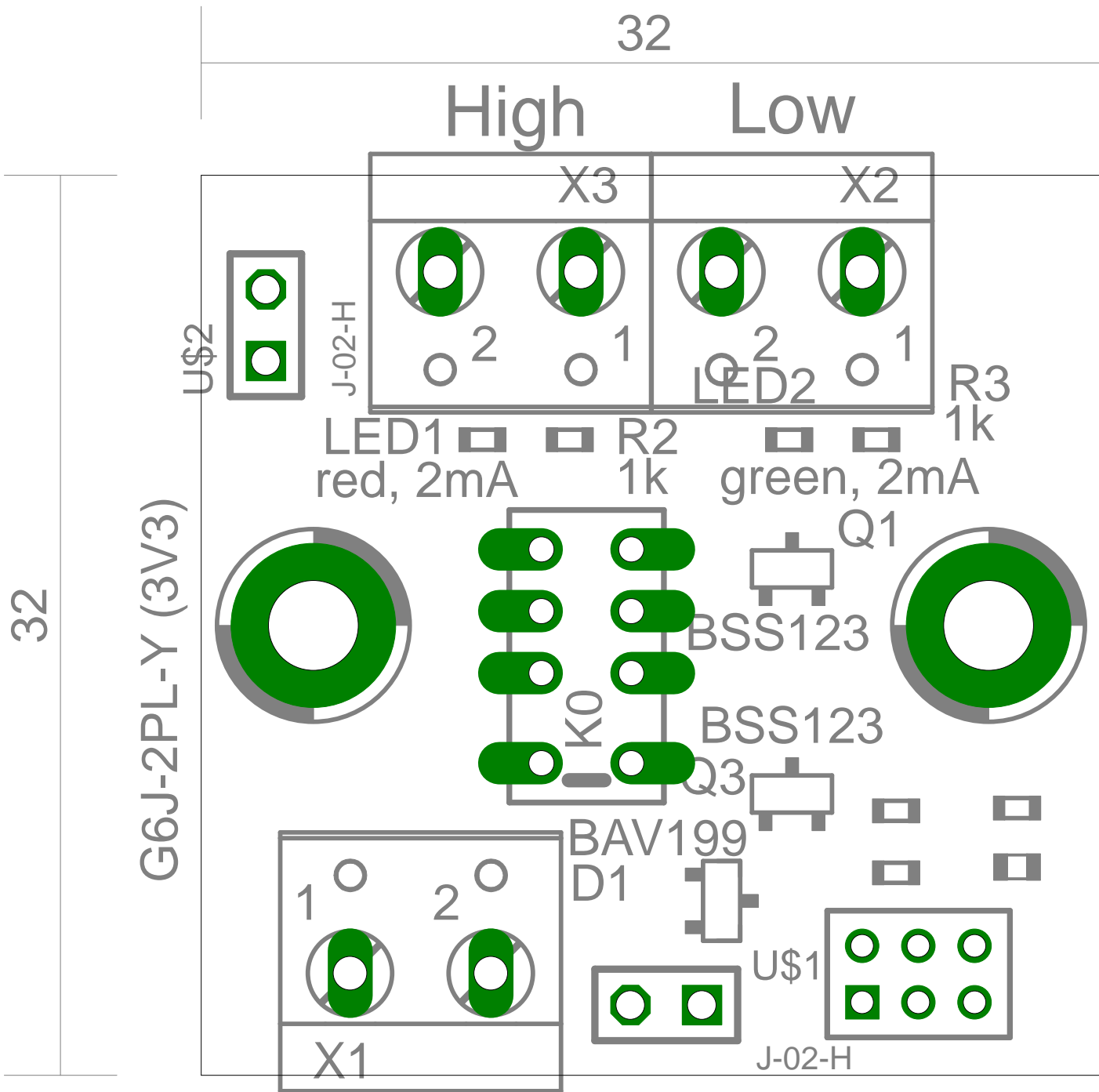
V1.0: 01.05.2014 Schaltungsentwurf / Platinenlayout
 V1.0: 10.06.2014 Freigabe zur Serie

Entwicklung:
 Wolfgang Kufer
 www.opendcc.de

proggleis_addon

10.06.2014 13:21:56

Sheet: 1/1



32

High

Low

X3

X2

U\$2

J-02-H

2

1

2

1

LED1
red, 2mA

R2
1k

LED2
green, 2mA

R3
1k

G6J-2PL-Y (3V3)

32

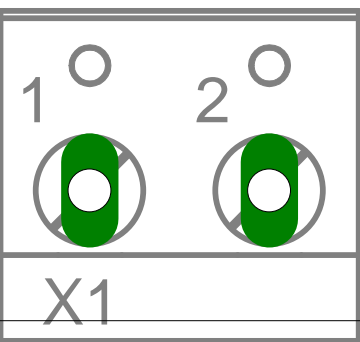
Q1

BSS123

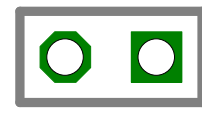
BSS123

BAV199
D1

Q3



X1



U\$1

J-02-H

ProgSchalter
V1.0
(f. GBMBoost)

R5
100k

R1
100k

R4
10k

C1
100p

J11
J-06-2MM-2X03_D08

Common